



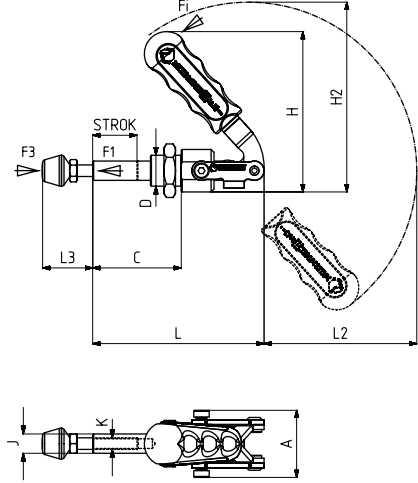
new

MODEL NO	PASLANMAZ (STAINLESS)	SİYAH (BLACK)	F1 (N)	F3 (N)	Fi	BASKI VİDASI (SQUEEZE SCREW)	STROK	AĞIRLIK (WEIGHT) (gr ±%2)
					VERİM (YIELD) (F1:Fi)			
513 - 1	S 513 -	-	800	1500	24:1	M5 x 35	22	95
513 - 2	S 513 -	B 513 -	1500	3500	26:1	M6 x 40	27	200
513 - 3	-	B 513 -	2500	5500	27:1	M8 x 50	38	360
513 - 5	-	B 513 -	3500	7500	38:1	M10 x 70	53	710
513 - 6	-	B 513 -	4500	8500	38:1	M12 x 80	53	780
513 - 7	-	B 513 -	4500	8500	38:1	M12 x 80	51	930

F1 : BASKI KUVVETİ (EXERTING FORCE), F3 : TUTMA KAPASİTESİ (HOLDING CAPACITY), Fi : UYGULAMA KUVVETİ (APPLIED FORCE)

Ayak Tipi: Tabansız

Body Mounting Base: No Base



MODEL NO	A	C	D	H	H2	J	K	L	L2	L3 min.	L3 max.
513 - 1	32	37	M12 x 1,5	69	82	8	M5	73	68,5	15	38
513 - 2	35	46	M16 x 1,5	81,5	97	10	M6	89	80	19	46
513 - 3	43	61	M20 x 1,5	122	118	12	M8	116	96	24	58
513 - 5	50	81	M24 x 1,5	131	159	14	M10	155	135	32	74
513 - 6	52	81	M24 x 1,5	131	159	16	M12	155	135	32	74
513 - 7	55	81	M27 x 1,5	131	159	20	M12	155	135	32	74

new

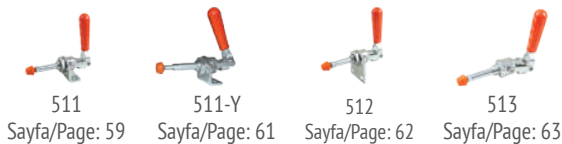
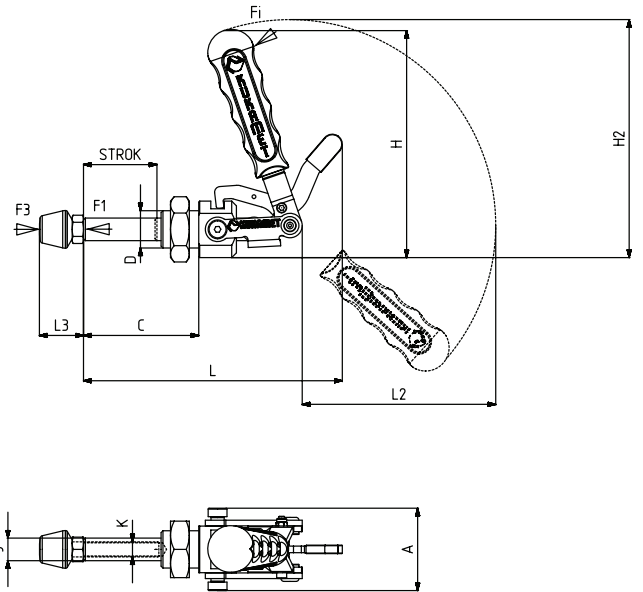


MODEL NO	PASLANMAZ (STAINLESS)	SİYAH (BLACK)	F1 (N)	F3 (N)	Fi	BASKI VİDASI (SQUEEZE SCREW)	STROK	AĞIRLIK (WEIGHT) (gr ±%2)
					VERİM (YIELD) (F1:Fi)			
513 - 3 - L	-	B 513 -	2500	5500	27:1	M8X50	38	385
513 - 5 - L	-	B 513 -	3500	7500	38:1	M10X70	53	775
513 - 6 - L	-	B 513 -	4500	8500	38:1	M12X80	53	850

F1 : BASKI KUVVETİ (EXERTING FORCE), F3 : TUTMA KAPASİTESİ (HOLDING CAPACITY), Fi : UYGULAMA KUVVETİ (APPLIED FORCE)

Ayak Tipi: Tabansız - Kilitli

Body Mounting Base: No Base - Locked



MODEL NO	A	C	D	H	H2	J	K	L	L2	L3 max.
513 - 3 - L	43	61	M20 x 1,5	122	118	12	M8	139	96	58
513 - 5 - L	50	81	M24 x 1,5	131	159	14	M10	172,5	135	74
513 - 6 - L	52	81	M24 x 1,5	131	159	16	M12	172,5	135	74