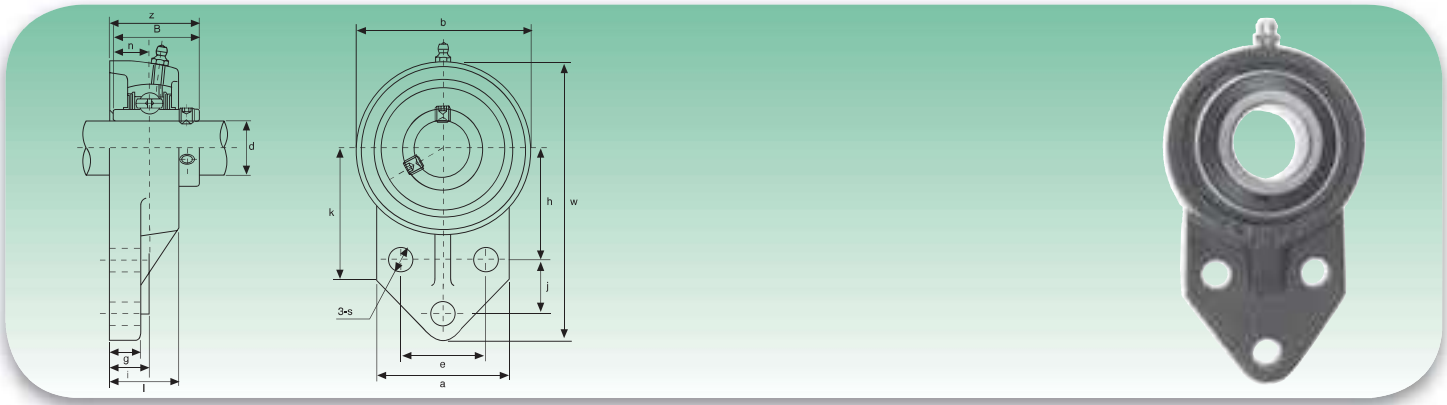


UCFB2 Serie normale - Standard duty



Tipo Type	Dimensioni - Dimensions														Bull. fiss. Bolt Size	Coefficients di carico (N) Load ratings (N)		Cuscinetto Bearing	Supporto Housing	Peso Weight	
	d	w	b	k	a	l	s	g	h	j	e	i	z	B		n	Dinamico C Dynamic C				Statico C <sub>0</sub> Static C <sub>0</sub>
	mm/inch															mm/inch					
<b>UCFB201</b>	12	110	62	52	52	25,5	10	13	42	27	32	15	33,3	31	12,7	M8	12160	6318	<b>UC201</b>	<b>FB204</b>	0,58
UCFB201-8	1/2	411/32	27/16	21/16	21/16	1	25/64	1/2	121/32	11/16	117/64	19/32	15/16	1,2205	0,500	5/16			UC201-8		0,57
<b>UCFB202</b>	15	110	62	52	52	25,5	10	13	42	27	32	15	33,3	31	12,7	M8	12160	6318	<b>UC202</b>	<b>FB204</b>	0,57
UCFB202-9	9/16	411/32	27/16	21/16	21/16	1	25/64	1/2	121/32	11/16	117/64	19/32	15/16	1,2205	0,500	5/16			UC202-9		0,57
UCFB202-10	5/8	411/32	27/16	21/16	21/16	1	25/64	1/2	121/32	11/16	117/64	19/32	15/16	1,2205	0,500	5/16			UC202-10		0,57
<b>UCFB203</b>	17	110	62	52	52	25,5	10	13	42	27	32	15	33,3	31	12,7	M8	12160	6318	<b>UC203</b>	<b>FB204</b>	0,56
UCFB203-11	11/16	411/32	27/16	21/16	21/16	1	25/64	1/2	121/32	11/16	117/64	19/32	15/16	1,2205	0,500	5/16			UC203-11		0,55
<b>UCFB204</b>	20	110	62	52	52	25,5	10	13	42	27	32	15	33,3	31	12,7	M8	12160	6318	<b>UC204</b>	<b>FB204</b>	0,54
UCFB204-12	3/4	411/32	27/16	21/16	21/16	1	25/64	1/2	121/32	11/16	117/64	19/32	15/16	1,2205	0,500	5/16			UC204-12		0,54
<b>UCFB205</b>	25	116	68	52	56	27	10	13	45	27	34	16	35,8	34,1	14,3	M8	13300	7457	<b>UC205</b>	<b>FB205</b>	0,79
UCFB205-13	13/16	49/16	211/16	21/16	27/32	11/16	25/64	1/2	149/64	11/16	111/32	5/8	113/32	1,3425	0,563	5/16			UC205-13		0,83
UCFB205-14	7/8	49/16	211/16	21/16	27/32	11/16	25/64	1/2	149/64	11/16	111/32	5/8	113/32	1,3425	0,563	5/16			UC205-14		0,82
UCFB205-15	15/16	49/16	211/16	21/16	27/32	11/16	25/64	1/2	149/64	11/16	111/32	5/8	113/32	1,3425	0,563	5/16			UC205-15		0,80
UCFB205-16	1	49/16	211/16	21/16	27/32	11/16	25/64	1/2	149/64	11/16	111/32	5/8	113/32	1,3425	0,563	5/16			UC205-16		0,79
<b>UCFB206</b>	30	130	78	55	65	31	10	13	50	29	40	18	40,2	38,1	15,9	M8	18525	10735	<b>UC206</b>	<b>FB206</b>	0,95
UCFB206-17	11/16	51/8	31/16	25/32	29/16	17/32	25/64	1/2	131/32	19/64	137/64	45/64	119/32	1,5000	0,626	5/16			UC206-17		0,98
UCFB206-18	11/8	51/8	31/16	25/32	29/16	17/32	25/64	1/2	131/32	19/64	137/64	45/64	119/32	1,5000	0,626	5/16			UC206-18		0,97
UCFB206-19	13/16	51/8	31/16	25/32	29/16	17/32	25/64	1/2	131/32	19/64	137/64	45/64	119/32	1,5000	0,626	5/16			UC206-19		0,95
UCFB206-20	1 1/4	51/8	31/16	25/32	29/16	17/32	25/64	1/2	131/32	19/64	137/64	45/64	119/32	1,5000	0,626	5/16			UC206-20		0,94
<b>UCFB207</b>	35	144	90	62	70	34	10	15	55	32	46	19	44,4	42,9	17,5	M8	24415	14630	<b>UC207</b>	<b>FB207</b>	1,29
UCFB207-20	1 1/4	521/32	335/64	27/16	2 3/4	111/32	25/64	19/32	211/64	117/64	113/16	3/4	1 3/4	1,6890	0,689	5/16			UC207-20		1,35
UCFB207-21	15/16	521/32	335/64	27/16	2 3/4	111/32	25/64	19/32	211/64	117/64	113/16	3/4	1 3/4	1,6890	0,689	5/16			UC207-21		1,32
UCFB207-22	13/8	521/32	335/64	27/16	2 3/4	111/32	25/64	19/32	211/64	117/64	113/16	3/4	1 3/4	1,6890	0,689	5/16			UC207-22		1,29
UCFB207-23	17/16	521/32	335/64	27/16	2 3/4	111/32	25/64	19/32	211/64	117/64	113/16	3/4	1 3/4	1,6890	0,689	5/16			UC207-23		1,26
<b>UCFB208</b>	40	164	100	72	78	36	12	16	60	41	50	21	51,2	49,2	19	M10	27645	16910	<b>UC208</b>	<b>FB208</b>	1,78
UCFB208-24	1 1/2	615/32	315/16	227/32	31/16	113/32	15/32	5/8	223/64	139/64	131/32	53/64	21/64	1,9370	0,748	3/8			UC208-24		1,82
UCFB208-25	19/16	615/32	315/16	227/32	31/16	113/32	15/32	5/8	223/64	139/64	131/32	53/64	21/64	1,9370	0,748	3/8			UC208-25		1,79
<b>UCFB209</b>	45	174	106	76	80	38	12	18	65	43	54	22	52,2	49,2	19	M10	32395	20235	<b>UC209</b>	<b>FB209</b>	1,91
UCFB209-26	15/8	627/32	3243/16	3	35/32	1 1/2	15/32	23/32	29/16	111/16	21/8	55/64	21/16	1,9370	0,748	3/8			UC209-26		2,01
UCFB209-27	111/16	627/32	3243/16	3	35/32	1 1/2	15/32	23/32	29/16	111/16	21/8	55/64	21/16	1,9370	0,748	3/8			UC209-27		1,97
UCFB209-28	1 3/4	627/32	3243/16	3	35/32	1 1/2	15/32	23/32	29/16	111/16	21/8	55/64	21/16	1,9370	0,748	3/8			UC209-28		1,93
<b>UCFB210</b>	50	184	112	82	86	40	12	18	68	46	58	22	54,6	51,6	19	M10	33345	22135	<b>UC210</b>	<b>FB210</b>	2,36
UCFB210-29	113/16	71/14	413/32	37/32	33/8	137/64	15/32	23/32	243/64	113/16	29/32	55/64	25/32	2,0315	0,748	3/8			UC210-29		2,48
UCFB210-30	17/8	71/14	413/32	37/32	33/8	137/64	15/32	23/32	243/64	113/16	29/32	55/64	25/32	2,0315	0,748	3/8			UC210-30		2,43
UCFB210-31	115/16	71/14	413/32	37/32	33/8	137/64	15/32	23/32	243/64	113/16	29/32	55/64	25/32	2,0315	0,748	3/8			UC210-31		2,38
UCFA210-32	2	71/14	413/32	37/32	33/8	137/64	15/32	23/32	243/64	113/16	29/32	55/64	25/32	2,0315	0,748	3/8			UC210-32		2,34
<b>UCFB211</b>	55	207	130	86	90	43	14	18	78	50	62	25	58,4	55,6	22,2	M12	41230	27930	<b>UC211</b>	<b>FB211</b>	3,15
UCFB211-32	2	85/32	51/8	325/64	335/64	111/16	35/64	45/64	35/64	131/32	27/16	63/64	25/16	2,1890	0,874	7/16			UC211-32		3,31
UCFB211-33	21/16	85/32	51/8	325/64	335/64	111/16	35/64	45/64	35/64	131/32	27/16	63/64	25/16	2,1890	0,874	7/16			UC211-33		3,25
UCFB211-34	21/8	85/32	51/8	325/64	335/64	111/16	35/64	45/64	35/64	131/32	27/16	63/64	25/16	2,1890	0,874	7/16			UC211-34		3,20
UCFB211-35	23/16	85/32	51/8	325/64	335/64	111/16	35/64	45/64	35/64	131/32	27/16	63/64	25/16	2,1890	0,874	7/16			UC211-35		3,14
<b>UCFB212</b>	60	223	140	90	94	48	14	18	84	55	66	29	68,7	65,1	25,4	M12	49780	34390	<b>UC212</b>	<b>FB212</b>	3,99
UCFB212-36	2 1/4	825/32	5 1/2	335/64	345/64	17/8	35/64	45/64	35/16	211/64	219/32	19/64	223/32	2,5630	1,000	7/16			UC212-36		4,12
UCFB212-37	25/16	825/32	5 1/2	335/64	345/64	17/8	35/64	45/64	35/16	211/64	219/32	19/64	223/32	2,5630	1,000	7/16			UC212-37		4,04
UCFB212-38	23/8	825/32	5 1/2	335/64	345/64	17/8	35/64	45/64	35/16	211/64	219/32	19/64	223/32	2,5630	1,000	7/16			UC212-38		3,97
UCFB212-39	27/16	825/32	5 1/2	335/64	345/64	17/8	35/64	45/64	35/16	211/64	219/32	19/64	223/32	2,5630	1,000	7/16			UC212-39		3,90
<b>UCFB213</b>	65	244	155	94	100	50	14	20	92	60	70	30	69,7	65,1	25,4	M12	54340	38095	<b>UC213</b>	<b>FB213</b>	-
UCFB213-40	2 1/2	939/64	67/64	345/64	315/16	131/32	35/64	25/32	35/8	223/64	2 3/4	13/16	2 3/4	2,5630	1,000	7/16			UC213-40		-
UCFB213-41	29/16	939/64	67/64	345/64	315/16	131/32	35/64	25/32	35/8	223/64	2 3/4	13/16	2 3/4	2,5630	1,000	7/16			UC213-41		-

Disponibile in acciaio inox Supporto: AISI 304 - Cuscinetto: AISI 440C o 420C - Available stainless steel Housing: AISI 304 - Bearing: AISI 440C or 420C  
 Disponibile su richiesta con cuscinetto SA (SAFB) - Available under request with SA bearing (SAFB)