

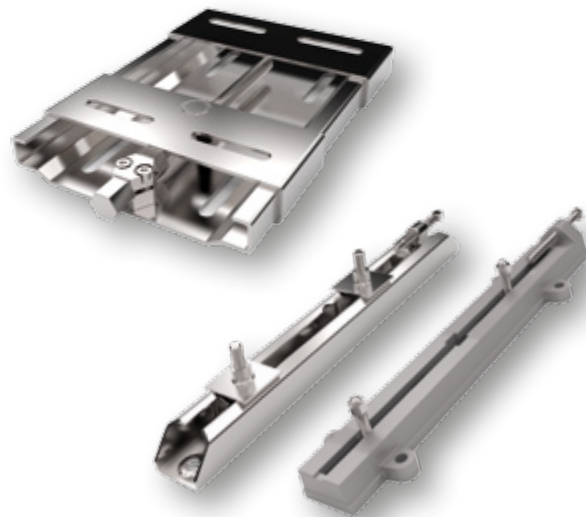
Drive Elements

Motor slide rails



Motor slide rails

Motor slides and motor slide rails are the ideal mounting base for your motor. Whether made of steel or cast iron – durability and high flexibility are the hallmarks of our easy-to-install motor slides and motor slide rails.

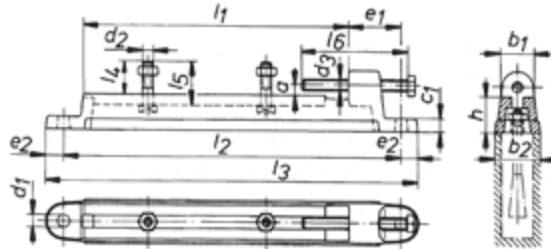


Product benefits

- › Proven quality
- › Available in many nominal lengths
- › Easy installation
- › Durable, since insusceptible to corrosion
- › Noise-absorbing and environmentally friendly
- › Short delivery lead times
- › Universal use
- › Low in price
- › Therefore cost-effective

Motor slide rails made of cast iron

Light weight design

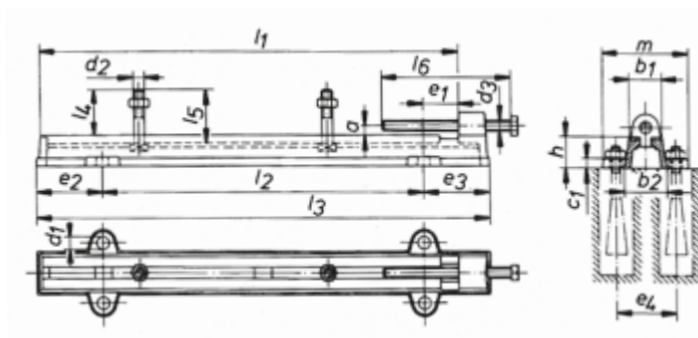


Design A
length $l_1 = 250$ by 650 mm

Sliding length	a	b_1	b_2	c_1	d_1	e_1	e_2	e_4	h	l_2	l_3	l_4	m	Bending moment
l_1 mm	mm	mm	mm	mm	mm	mm	mm	mm	mm	mm	mm	mm	mm	M_b Nm
250	6	30	42	12	12	46	17.5	–	33	315	350	30	–	134
330	8	34	50	13	15	43	22.5	–	35	390	435	35	–	192
400	8	38	55	15	15	43	22.5	–	42	460	505	48	–	285
450	8	40	60	15	15	55	22.5	–	44	530	575	47	–	348
500	8	45	65	18	15	55	22.5	–	48	580	625	47	–	480
550	12	46	65	18	19	55	22.5	–	53	630	675	60	–	527
600	12	50	70	18	19	55	25.0	–	55	680	730	59	–	428
650	12	54	75	18	19	53	25.0	–	55	725	775	59	–	466

Sliding length	Fastening bolt for machine	Clamping bolts	Weight	Motor size
l_1 mm	$d_2 \times l_5$ mm	$d_3 \times l_6$ mm	kg	
250	M 8 x 40	M 10 x 100	1.5	80/90
330	M 10 x 45	M 12 x 120	2.25	100/112/132
400	M 12 x 60	M 12 x 120	3.25	160/180
450	M 12 x 60	M 12 x 120	4.0	160/180
500	M 12 x 60	M 12 x 150	6.0	160/180
550	M 16 x 75	M 16 x 150	7.0	200/225
600	M 16 x 75	M 16 x 150	8.0	200/225
650	M 16 x 75	M 16 x 150	8.75	200/225

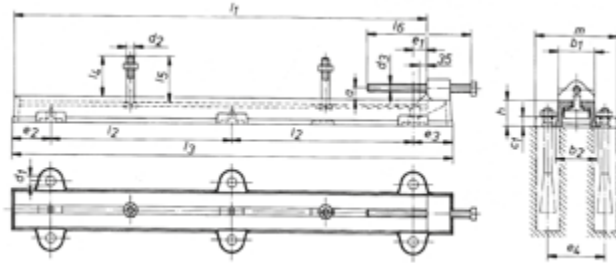
- Material for slide rails: cast iron EN- GJL 200. Fastening bolts with square head and hexagonal nuts for machine as well as clamping bolts are supplied.



Design B
length $l_1 = 700$ by 1500 mm

Sliding length	a	b_1	b_2	c_1	d_1	e_1	e_2	e_4	h	l_2	l_3	l_4	m	Bending moment
l_1 mm	mm	mm	mm	mm	mm	mm	mm	mm	mm	mm	mm	mm	mm	M_b Nm
700	16	65	80	18	19	105	150.0	115	60	450	750	86	155	653
800	16	68	88	22	19	105	150.0	120	60	550	850	82	175	768
900	16	70	92	22	19	100	152.5	130	68	650	955	80	185	981
1000	16	75	104	23	24	100	155.0	140	72	750	1060	100	200	1420
1100	16	80	105	23	24	120	185.0	140	74	800	1170	100	200	1571
1200	16	85	110	25	24	120	190.0	140	76	900	1280	100	200	1697
1300	16	85	115	25	28	120	180.0	160	78	1010	1370	125	225	1788
1400*	16	90	120	25	28	145	215.0	165	80	1050	1480	129	245	2289
1500*	16	90	120	30	28	145	215.0	170	90	1150	1580	122	250	2838

Sliding length	Fastening bolt for machine	Clamping bolts	Weight	Motor size
l_1 mm	$d_2 \times l_5$ mm	$d_3 \times l_6$ mm	kg	
700	M 20 x 100	M 20 x 200	12.5	250/280
800	M 20 x 100	M 20 x 200	16.0	250/280
900	M 20 x 100	M 20 x 200	20.0	250/280
1000	M 24 x 125	M 24 x 300	27.0	315
1100	M 24 x 125	M 24 x 300	30.0	315
1200	M 24 x 125	M 24 x 300	35.0	315
1300	M 24 x 150	M 24 x 350	38.5	315/355
1400*	M 24 x 150	M 24 x 350	47.5	315/355
1500*	M 24 x 150	M 24 x 350	55.0	315/355



Design C
length $l_1 = 1600$ by 2200 mm

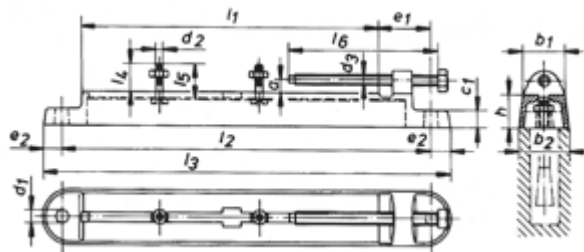
Sliding length	a	b_1	b_2	c_1	d_1	e_1	e_2	e_4	h	l_2	l_3	l_4	m	Bending moment
l_1 mm	mm	mm	mm	mm	mm	mm	mm	mm	mm	mm	mm	mm	mm	M_b Nm
1600*	45	140	160	40	28	55	150	220	100	700	1700	152	310	3761
1700*	45	140	160	40	28	55	150	220	100	750	1800	152	310	3798
1900*	45	160	180	45	28	55	150	250	110	850	2000	150	340	4890
2200*	45	180	200	45	35	55	150	280	125	1000	2300	225	370	6950

Sliding length	Fastening bolt for machine	Clamping bolts	Weight	Motor size
l_1 mm	$d_2 \times l_5$ mm	$d_3 \times l_6$ mm	kg	
1600*	M 27 x 175	M 30 x 400	102.5	–
1700*	M 27 x 175	M 30 x 400	107.5	–
1900*	M 27 x 175	M 30 x 400	152.5	–
2200*	M 30 x 250	M 30 x 400	205.0	–

➤ Material for slide rails: cast iron EN- GJL 200. Fastening bolts with square head and hexagonal nuts for machine as well as clamping bolts are supplied.

* Non-stock items

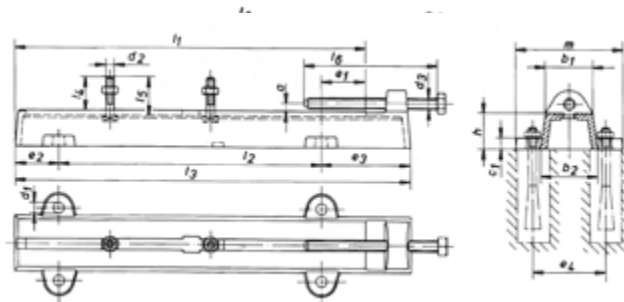
Motor slide rails made of cast iron DIN 42923



Sliding length = 265 by 500 mm

Sliding length	a	b_1	b_2	c_1	d_1	e_1	e_2	e_3	e_4	h	l_2	l_3	l_4	m	Bending moment
l_1 mm	mm	mm	mm	mm	mm	mm	mm	mm	mm	mm	mm	mm	mm	mm	M_b Nm
265	6	40	50	18	10	45	15	–	–	35	325	355	28	–	80
315	8	45	55	18	12	55	20	–	–	35	390	430	28	–	100
355	8	50	65	23	12	55	20	–	–	40	430	470	37	–	200
400	8	55	70	25	15	65	25	–	–	55	480	530	37	–	400
500	12	70	85	30	19	80	30	–	–	55	610	670	50	–	700

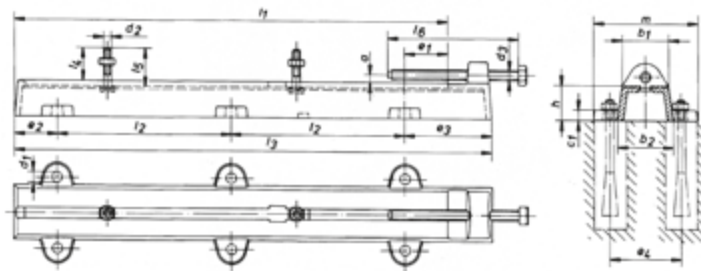
Sliding length	Fastening bolt for machine	Clamping bolts	Weight	Motor size
l_1 mm	$d_2 \times l_5$ mm	$d_3 \times l_6$ mm	kg	
265	M 8 x 35	M 10 x 120	1.75	80/90
315	M 8 x 35	M 12 x 160	2.5	80/90
355	M 10 x 45	M 12 x 160	3.25	100
400	M 10 x 45	M 12 x 160	4.25	112/132
500	M 12 x 60	M 20 x 240	9.0	160/180



Sliding length = 630 by 1000 mm

Sliding length	a	b ₁	b ₂	c ₁	d ₁	e ₁	e ₂	e ₃	e ₄	h	l ₂	l ₃	l ₄	m	Bending moment
l ₁ mm	mm	mm	mm	mm	mm	mm	mm	mm	mm	mm	mm	mm	mm	mm	M _b Nm
630	12	85	100	35	19	80	80	160	130	65	470	710	58	182	1000
800	16	100	120	35	28	100	100	200	165	75	600	900	76	225	2500
1000	16	120	140	40	28	140	140	240	190	80	720	1100	82	250	4000

Sliding length	Fastening bolt for machine	Clamping bolts	Weight	Motor size
l ₁ mm	d ₂ x l ₅ mm	d ₃ x l ₆ mm	kg	
630	M 16 x 70	M 20 x 240	14	200/225
800	M 20 x 90	M 24 x 300	25	250/280
1000	M 24 x 100	M 24 x 300	40	315



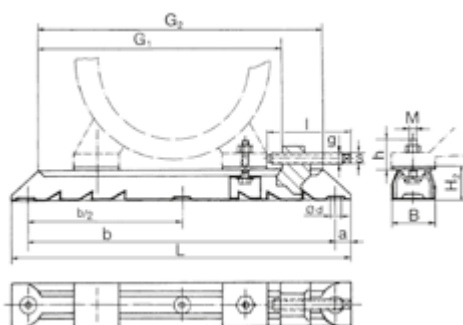
Sliding length = 1250 mm

Sliding length	a	b ₁	b ₂	c ₁	d ₁	e ₁	e ₂	e ₃	e ₄	h	l ₂	l ₃	l ₄	m	Bending moment
l ₁ mm	mm	mm	mm	mm	mm	mm	mm	mm	mm	mm	mm	mm	mm	mm	M _b Nm
1250	16	120	140	35	28	140	140	240	190	80	485	1350	–	–	4500

Sliding length	Fastening bolt for machine	Clamping bolts	Weight	Motor size
l ₁ mm	d ₂ x l ₅ mm	d ₃ x l ₆ mm	kg	
1250	M 24 x 100	M 24 x 300	47.5	315/355

➤ Material for slide rails: cast iron EN- GJL 200. Fastening bolts with square head and hexagonal nuts for machine as well as clamping bolts are supplied.

Motor slide rails made of steel



with movable face plate jaws

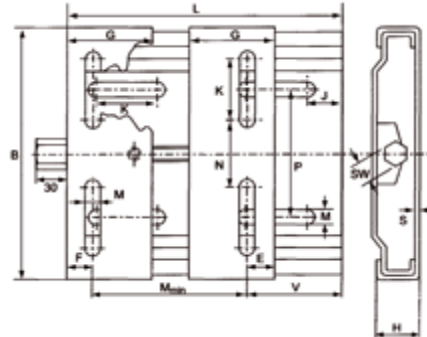
Size	Motor size	L mm	B mm	H ₂ mm	Plate thickness mm	G ₁ mm	G ₂ mm	a mm	b mm	b/2 mm	Ø d mm	M x h mm	l x g x s mm	Weight kg
312/6	63/71	312	40	28	2	240	262	16	280	–	12	M 6 x 19	75 x 10 x 8	1.4
312/8	80/90	312	40	28	2	240	262	16	280	–	12	M 8 x 27	75 x 10 x 8	1.5
375/6	63/71	375	40	28	2	305	325	16	343	–	12	M 6 x 19	75 x 10 x 8	1.5
375/8	80/90	375	40	28	2	305	325	16	343	–	12	M 8 x 27	75 x 10 x 8	1.6
375/10	100/112	375	40	28	2	305	325	16	343	–	12	M 10 x 32	75 x 10 x 8	1.6
395/8	80/90	395	50	40	3	302	325	20	355	–	12	M 8 x 28	100 x 12 x 9	3.4
395/10	100/112	395	50	40	3	302	325	20	355	–	12	M 10 x 35	100 x 12 x 9	3.4
495/8	80/90	495	50	40	3	405	425	20	455	–	12	M 8 x 29	100 x 12 x 9	4.0
495/10	100/112/132	495	50	40	3	405	425	20	455	–	12	M 10 x 35	100 x 12 x 9	4.0
495/12	160	495	50	40	3	405	425	20	455	–	12	M 12 x 49	100 x 12 x 9	4.0
530/10	132	530	60	50	4	413	442	25	480	–	14	M 10 x 37	120 x 16 x 12	6.4
530/12	160	530	60	50	4	413	442	25	480	–	14	M 12 x 49	120 x 16 x 12	6.4
630/10	132	630	60	50	4	515	542	25	580	–	14	M 10 x 37	120 x 16 x 12	8.2
630/12	160/180	630	60	50	4	515	542	25	580	–	14	M 12 x 45	120 x 16 x 12	8.2
686/12	160/180	686	75	60	4	538	575	25	630	315	15	M 12 x 43	155 x 20 x 17	12.8
686/16	200/225	686	75	60	4	538	575	28	630	315	18	M 16 x 62	155 x 20 x 17	12.8

with welded-on face plate jaws

Size	Motor size	L mm	B mm	H ₂ mm	Plate thickness mm	G ₁ mm	G ₂ mm	a mm	b mm	b/2 mm	Ø d mm	M x h mm	l x g x s mm	Weight kg
864/16	220/225	864	90	75	4	700	810	32	800	400	24	M 16 x 60	340 x 24 x 17	16.6
864/20	250/280	864	90	75	4	700	810	32	800	400	24	M 20 x 68	340 x 24 x 17	16.6
1072/20	250/280	1072	112	100	5	865	995	36	1000	500	30	M 20 x 77	375 x 30 x 24	33.4
1072/24	315	1072	112	100	5	865	995	36	1000	500	30	M 24 x 88	375 x 30 x 24	33.4
1330/24	315/355	1330	130	125	6	1065	1215	40	1250	625	30	M 24 x 95	430 x 33 x 27	56.6

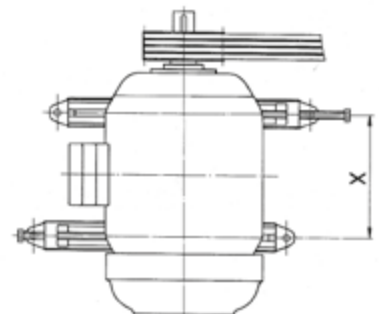
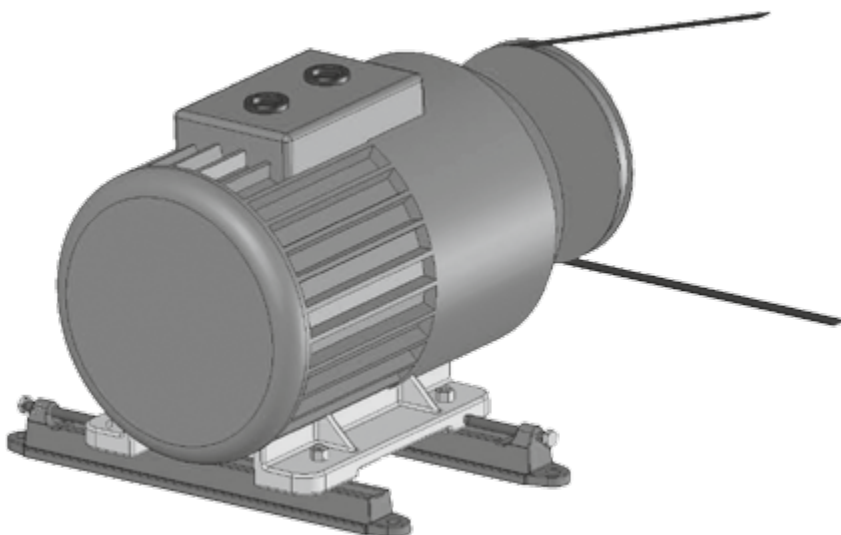
➤ Fastening bolts and hexagonal nuts for machine and clamping bolts are supplied.

Motor slides made of steel



Size	Motor size	L mm	B mm	H mm	M _{min} mm	G mm	E mm	J mm	K mm	M mm	N mm	P mm	SW mm	S mm	Weight kg
210	63 - 80	210	195	33	100	70	20	25	50.0	10.5	43	98	19	3	2.3
270	63 - 100	270	195	33	100	70	20	25	50.0	10.5	43	98	19	3	2.7
340	90 - 132	340	290	40	140	95	27	29	62.5	12.5	90	165	22	4	6.3
430	90 - 160	430	290	40	140	95	25	29	62.5	12.5	90	165	22	4	7.4
490	160 - 180	490	410	40	254	95	40	30	60.0	15.0	193	142/284	22	4	12.7

Arrangement of motor slide rails



Tecnamic GmbH

Zunftweg 4
59457 Werl
Germany

T +49 2922 9273-888
F +49 2922 9273-880
E info@tecnamic.com



TECNAMIC

www.tecnamic.com