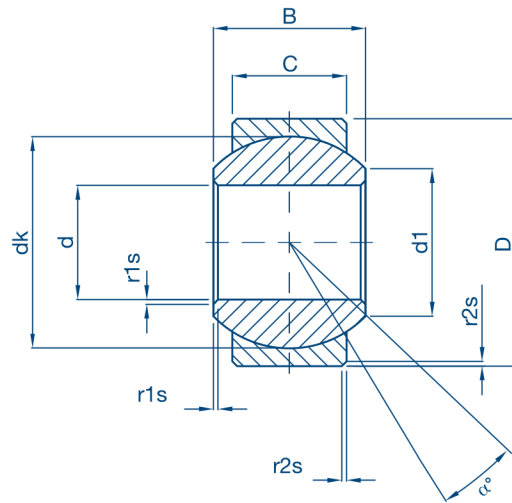


DIN ISO 12240-1 Series K
steel/steel coupling, self-lubricating
Application: precision engineering

Series
SB

SELF-LUBRICATING SPHERICAL BEARINGS
TOP Version



Dimensions mm

| DESIGNATION | d H7 | B | C | D | d1 | dk | r1s min. | r2s min. | static radial load Co.(daN) | static axial load Co.(daN) | α° pivoting angle \approx | weight \approx (kg) |
|-------------|---------|----|--------|-----|-------|-------|-------------|-------------|--------------------------------------|-------------------------------------|--|-----------------------------|
| SB5 | 5 | 8 | 6,00 | 13 | 7,7 | 11,11 | 0,3 | 0,3 | 1300 | 170 | 13 | 0,006 |
| SB6 | 6 | 9 | 6,75 | 16 | 8,9 | 12,70 | 0,3 | 0,3 | 1700 | 220 | 13 | 0,009 |
| SB8 | 8 | 12 | 9,00 | 19 | 10,4 | 15,87 | 0,3 | 0,3 | 2800 | 370 | 14 | 0,016 |
| SB10 | 10 | 14 | 10,50 | 22 | 12,9 | 19,05 | 0,3 | 0,3 | 4000 | 520 | 13 | 0,025 |
| SB12 | 12 | 16 | 12,00 | 26 | 15,4 | 22,22 | 0,3 | 0,3 | 5300 | 700 | 13 | 0,040 |
| SB16 | 16 | 21 | 15,00 | 32 | 19,3 | 28,57 | 0,3 | 0,3 | 8500 | 1100 | 15 | 0,100 |
| SB20 | 20 | 25 | 18,00 | 40 | 24,3 | 34,92 | 0,3 | 0,6 | 12500 | 1600 | 14 | 0,150 |
| SB30 | 30 | 37 | 25,00 | 55 | 34,8 | 50,80 | 0,3 | 0,6 | 25400 | 3300 | 17 | 0,380 |
| SB35 | 35 | 43 | 28,00* | 62* | 37,7* | 57,15 | 0,6 | 1,0 | 32000 | 4150 | 19 | 0,490 |

Technical reading from page 9 to page 15

*no standard dimension

MATERIAL

Inner ring:

tempered, ground and polished steel for bearings
100 Cr6 (1.3505)

Outer ring:

sintered steel impregnated with high efficiency lubricating fluid