

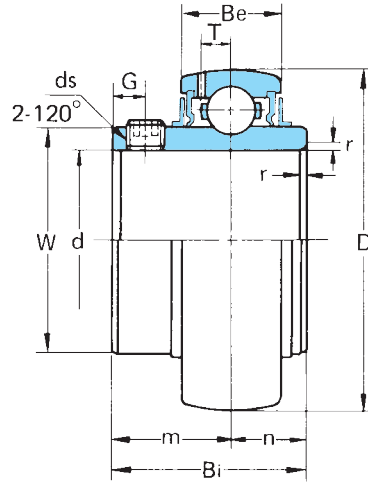
NACHI

Ball Bearings

Type

UC 200

(Diameter series 2)
Ste-screw Locking



Metric series

| Bearing No. | Dimensions mm | | | | | | | | | | | Basic Load Rating kgf | | Weight kg |
|-------------|---------------|-----|------|----|-----|------|------|-----|----------|------|-------|-----------------------|-----------|-----------|
| | d | D | Bi | Be | r | n | m | G | ds | T | W | Dynamic C | Static Co | |
| UC 201 | 12 | 47 | 31 | 17 | 1 | 12.7 | 18.3 | 4.5 | M6x0.75 | 4.5 | 29 | 1310 | 630 | 0.21 |
| UC 202 | 15 | 47 | 31 | 17 | 1 | 12.7 | 18.3 | 4.5 | M6x0.75 | 4.5 | 29 | 1310 | 630 | 0.19 |
| UC 203 | 17 | 47 | 31 | 17 | 1 | 12.7 | 18.3 | 4.5 | M6x0.75 | 4.5 | 29 | 1310 | 630 | 0.18 |
| UC 204 | 20 | 47 | 31 | 17 | 1.5 | 12.7 | 18.3 | 4.5 | M6x0.75 | 4.5 | 29 | 1310 | 630 | 0.16 |
| UC 205 | 25 | 52 | 34 | 17 | 1.5 | 14.3 | 19.7 | 5 | M6x0.75 | 4.5 | 34 | 1430 | 710 | 0.19 |
| UC 206 | 30 | 62 | 38.1 | 19 | 1.5 | 15.9 | 22.2 | 5 | M6x0.75 | 5.1 | 40.5 | 2000 | 1020 | 0.31 |
| UC 207 | 35 | 72 | 42.9 | 20 | 2 | 17.5 | 25.4 | 6 | M8x1 | 5.8 | 48 | 2640 | 1400 | 0.48 |
| UC 208 | 40 | 80 | 49.2 | 21 | 2 | 19 | 30.2 | 8 | M8x1 | 6.2 | 53 | 2990 | 1600 | 0.62 |
| UC 209 | 45 | 85 | 49.2 | 22 | 2 | 19 | 30.2 | 8 | M8x1 | 6.5 | 57.3 | 3350 | 1810 | 0.67 |
| UC 210 | 50 | 90 | 51.6 | 23 | 2 | 19 | 32.6 | 9 | M10x1.25 | 6.5 | 63 | 3600 | 2010 | 0.78 |
| UC 211 | 55 | 100 | 55.6 | 24 | 2.5 | 22.2 | 33.4 | 9 | M10x1.25 | 7.3 | 70 | 4400 | 2550 | 1.03 |
| UC 212 | 60 | 110 | 65.1 | 26 | 2.5 | 25.4 | 39.7 | 10 | M10x1.25 | 7.7 | 77 | 5350 | 3150 | 1.45 |
| UC 213 | 65 | 120 | 65.1 | 27 | 2.5 | 25.4 | 39.7 | 10 | M10x1.25 | 8.3 | 82.1 | 5850 | 3500 | 1.71 |
| UC 214 | 70 | 125 | 74.6 | 29 | 2.5 | 30.2 | 44.4 | 12 | M12x1.5 | 8.7 | 87 | 6350 | 3800 | 2.06 |
| UC 215 | 75 | 130 | 77.8 | 30 | 2.5 | 33.3 | 44.5 | 14 | M12x1.5 | 9.2 | 91.5 | 6750 | 4200 | 2.22 |
| UC 216 | 80 | 140 | 82.6 | 32 | 3 | 33.3 | 49.3 | 14 | M12x1.5 | 9.6 | 98.5 | 7400 | 4550 | 2.82 |
| UC 217 | 85 | 150 | 85.7 | 34 | 3 | 34.1 | 51.6 | 14 | M12x1.5 | 10.5 | 105 | 8500 | 5500 | 3.38 |
| UC 218 | 90 | 160 | 96 | 36 | 3 | 39.7 | 56.3 | 15 | M12x1.5 | 11.1 | 111.5 | 9750 | 6300 | 4.34 |

Inch series

| Bearing No. | Dimensions (inch) | | | | | | | | | | | Basic Load Rating lbs. | | Weight (lb.) |
|-------------|-------------------|--------|-------|-------|-------|-------|-------|-------|----------|-------|-------|------------------------|-----------|--------------|
| | d | D | Bi | Be | r | n | m | G | ds (UNF) | T | W | Dynamic C | Static Co | |
| UC 201-8 | 1/2 | | | | | | | | | | | | | 0.46 |
| UC 202-9 | 9/16 | 1.8504 | 1.220 | 0.669 | 0.039 | 0.500 | 0.720 | 0.177 | 1/4-28 | 0.177 | 1.142 | 2890 | 1390 | 0.42 |
| UC 202-10 | 5/8 | | | | | | | | | | | | | 0.40 |
| UC 203-11 | 11/16 | | | | | | | | | | | | | 0.40 |
| UC 204-12 | 3/4 | 1.8504 | 1.220 | 0.669 | 0.059 | 0.500 | 0.720 | 0.177 | 1/4-28 | 0.177 | 1.142 | 2890 | 1390 | 0.35 |
| UC 205-14 | 7/8 | | | | | | | | | | | | | 0.42 |
| UC 205-15 | 15/16 | 2.0472 | 1.339 | 0.669 | 0.059 | 0.563 | 0.776 | 0.197 | 1/4-28 | 0.177 | 1.339 | 3150 | 1560 | 0.42 |
| UC 205-16 | 1 | | | | | | | | | | | | | 0.42 |
| UC 206-17 | 1-1/16 | | | | | | | | | | | | | 0.68 |
| UC 206-18 | 1-1/8 | 2.4409 | 1.500 | 0.748 | 0.059 | 0.626 | 0.874 | 0.197 | 1/4-28 | 0.201 | 1.594 | 4410 | 2250 | 0.68 |
| UC 206-19 | 1-3/16 | | | | | | | | | | | | | 0.68 |
| UC 207-20 | 1-1/4 | | | | | | | | | | | | | 1.06 |
| UC 207-21 | 1-5/16 | | | | | | | | | | | | | 1.06 |
| UC 207-22 | 1-3/8 | 2.8346 | 1.689 | 0.787 | 0.079 | 0.689 | 1.000 | 0.236 | 5/16-24 | 0.228 | 1.890 | 5820 | 3090 | 1.06 |
| UC 207-23 | 1-7/16 | | | | | | | | | | | | | 1.06 |
| UC 208-24 | 1-1/2 | | | | | | | | | | | | | 1.37 |
| UC 208-25 | 1-9/16 | 3.1496 | 1.937 | 0.827 | 0.079 | 0.748 | 1.189 | 0.315 | 5/16-24 | 0.244 | 2.087 | 6590 | 3530 | 1.37 |
| UC 209-26 | 1-5/8 | | | | | | | | | | | | | 1.48 |
| UC 209-27 | 1-11/16 | 3.3465 | 1.937 | 0.866 | 0.079 | 0.748 | 1.189 | 0.315 | 5/16-24 | 0.256 | 2.256 | 7390 | 3990 | 1.48 |
| UC 209-28 | 1-3/4 | | | | | | | | | | | | | 1.48 |
| UC 210-30 | 1-7/8 | | | | | | | | | | | | | 1.72 |
| UC 210-31 | 1-15/16 | 3.5433 | 2.031 | 0.906 | 0.079 | 0.748 | 1.283 | 0.354 | 3/8-24 | 0.256 | 2.480 | 7940 | 4430 | 1.72 |
| UC 211-32 | 2 | | | | | | | | | | | | | 2.27 |
| UC 211-33 | 2-1/8 | 3.9370 | 2.189 | 0.945 | 0.098 | 0.874 | 1.315 | 0.354 | 3/8-24 | 0.287 | 2.756 | 9700 | 5620 | 2.27 |
| UC 211-35 | 2-3/16 | | | | | | | | | | | | | 2.27 |
| UC 212-36 | 2-1/4 | | | | | | | | | | | | | 3.20 |
| UC 212-38 | 2-3/8 | 4.3307 | 2.563 | 1.024 | 0.098 | 1.000 | 1.563 | 0.394 | 3/8-24 | 0.303 | 3.031 | 11800 | 6940 | 3.20 |
| UC 212-39 | 2-7/16 | | | | | | | | | | | | | 3.20 |
| UC 213-40 | 2-1/2 | 4.7244 | 2.563 | 1.063 | 0.098 | 1.000 | 1.563 | 0.394 | 3/8-24 | 0.327 | 3.232 | 12900 | 7720 | 3.77 |
| *UC 214-44 | 2-3/4 | 4.9213 | 2.937 | 1.142 | 0.098 | 1.189 | 1.748 | 0.472 | 7/16-20 | 0.343 | 3.425 | 14000 | 8380 | 4.54 |
| *UC 215-48 | 3 | 5.1181 | 3.063 | 1.181 | 0.098 | 1.311 | 1.752 | 0.551 | 7/16-20 | 0.362 | 3.602 | 14900 | 9260 | 4.89 |
| *UC 216-50 | 3-1/8 | 5.5118 | 3.252 | 1.260 | 0.118 | 1.311 | 1.941 | 0.551 | 7/16-20 | 0.378 | 3.878 | 16300 | 10000 | 6.22 |
| *UC 217-52 | 3-1/4 | 5.9055 | 3.374 | 1.339 | 0.118 | 1.343 | 2.031 | 0.551 | 7/16-20 | 0.413 | 4.134 | 18700 | 12100 | 7.45 |
| *UC 218-56 | 3-1/2 | 6.2992 | 3.780 | 1.417 | 0.118 | 1.563 | 2.217 | 0.591 | 1/2-20 | 0.437 | 4.390 | 21500 | 13900 | 9.57 |